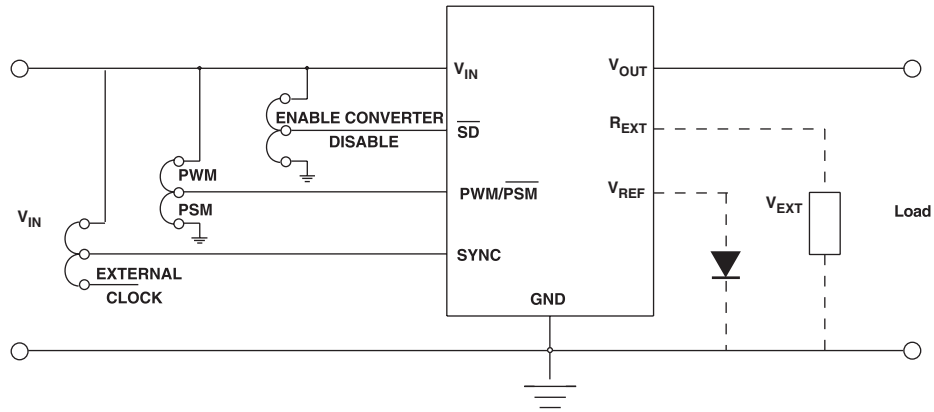


Pin Description (FX5545GXXX)



PIN DESCRIPTION	
PIN	DESCRIPTION
\overline{SD}	Logic low on \overline{SD} pin shuts down the FunctionPAK completely and decreases current consumption to less than $1 \mu A$
PWM/PSM	Logic high = PWM mode, logic low = PSM mode. In PSM mode synchronous rectification is disabled
SYNC	Externally controlled synchronization signal. Logic high to low transition forces the clock synchronization If not used the pin must be connected to V_{IN} or logic high
V_{IN}	Input supply voltage
V_{OUT}	Output supply voltage
GND	Ground
R_{EXT}	Included inside the package for all fixed output voltage converters. To be added externally for all self-selected output voltages
V_{REF}	Only for FX5545GXX8. (Not available for other applications)